

HUSSMANN®



ISMGG

Single-Deck Island, Self-Contained Medium Temperature
Merchandiser with Straight Glass on All Four Sides

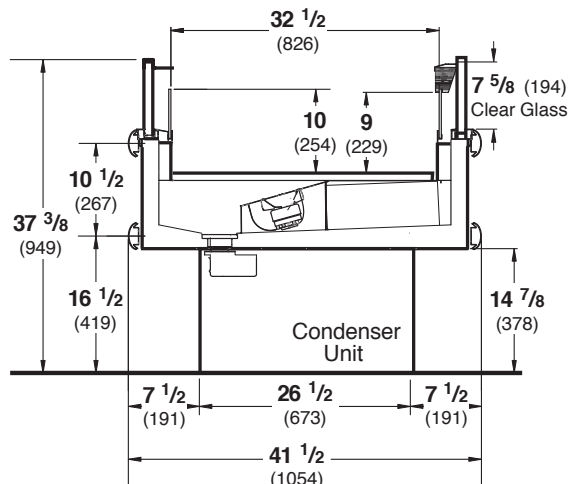
Single-Deck Island, Self-Contained Merchandiser for Dairy, Deli, and Sandwich Applications

ISMGG - Single-Deck, Med Temp Merchandiser

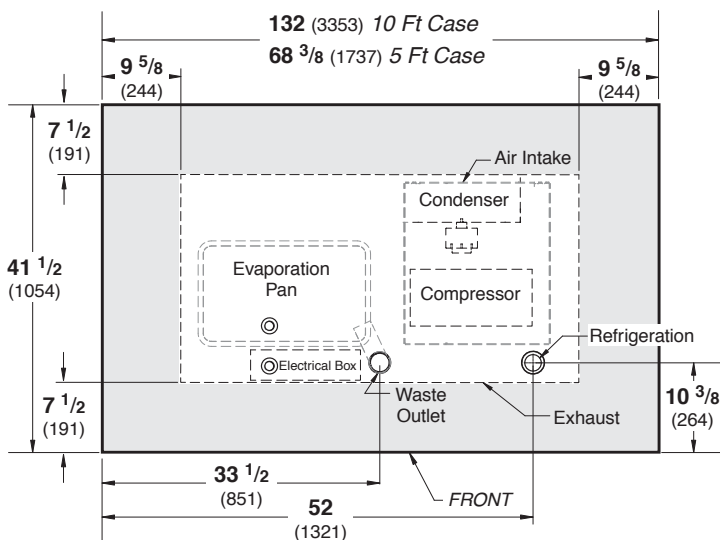
ISMGG-5/10



NEMA 5-20P



Plan View



Note: Each 5-foot case section has a full 60-inch of interior length for product display.

Advanced Design.

- White powder coated interior painting.
- Black upper and lower impact bumpers.
- Telescoping bottom wire selves.

Smart Construction.

- One-inch dial thermometer.
- Electronic controls with digital display.
- Condensate pan.
- Expansion valve with filter kit.

Innovative Refrigeration.

- R-404a refrigerant.
- Adjustable temperature control.
- Type II (80°F and 55% R.H.) certified.

Optional Accessories.

- Variety of color options.
- Stainless steel exterior.
- High humidity condensate pan kit (Not available on remote model).
- Price tag molding.
- Duplex receptacle kit.
- Recessed caster kit (factory installed).
- Two-inch dial thermometer.
- Degree Celsius control for thermometer.

Specifications

Model	Exterior Dimensions				Nom. HP		Refrig.	Hz/Ph	Volts	Electrical				Approx. Ship Wt. (lbs)			
	5ft. L	10ft. L	D	H	5ft.	10ft.				Run Amps	Fuse Amps	NEMA Plugs		5ft.	10ft.		
ISMGG-5B-10B	68-3/8"	132"	41-1/2"	37-3/8"	1/2	1/2HPx2	R-404a	60/1	115	15.9	15.9x2	20	20x2	5-20P	5-20Px2	725	1450

Note: All 10' models have two separate refrigeration systems and the self-contained models have 2 separated power cords.

ISMGG-5B -

Refrigeration load - 2660 BTU/h at 10°F evaporation temperature and 110°F condensing temperature.

For 10 ft. cases, multiply the numbers by 2.



Type II

NOTE: These merchandisers are designed for use in stores when temperature and humidity do not exceed 80°F and 55% R.H. Case is designed for holding pre-chilled product only.

NOTE: We reserve the right to change or revise specifications and product design in connection with any feature of our products. Such changes do not entitle the buyer to corresponding changes, improvements, additions, or replacements for equipment previously sold or shipped.

For additional resources and warranties, contact your representative or visit www.hussmann.com.



Hussmann refrigerated merchandisers configured for sale for use in the United States meet or surpass the requirements of the DOE 2012 energy efficiency standards.

HUSSMANN®

Hussmann Corporation
12999 St. Charles Rock Rd.
Bridgeton, MO 63044-2483
Ph: 314.291.2000

www.hussmann.com