

# HUSSMANN®

---

For a matching side-by-side display of dairy, deli, beverages and wine, be sure to see the companion HGM-BS series of medium temperature 1-, 2- and 3-door models.



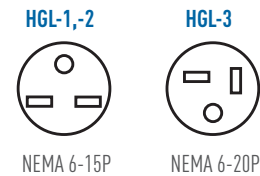
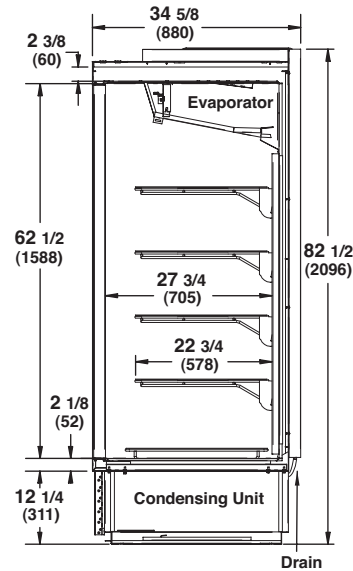
## HGL-BS

Vertical, Bottom Mount, Self-Contained  
Low Temperature Merchandiser

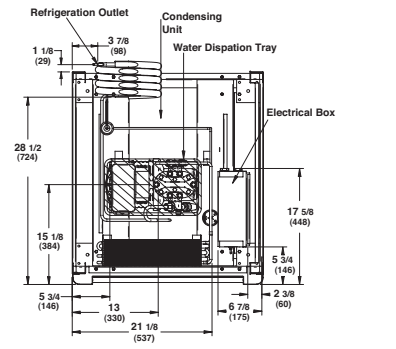
- Hinged Glass Door

# Vertical, Bottom Mount, Self-Contained Merchandiser for Ice Cream and Frozen Food Applications

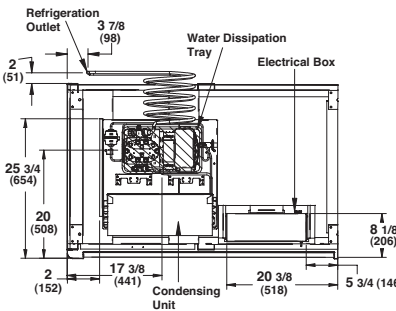
## HGL-1BS, HGL-2BS, HGL-3BS - Bottom Mount, Low Temp Glass Door Merchandiser



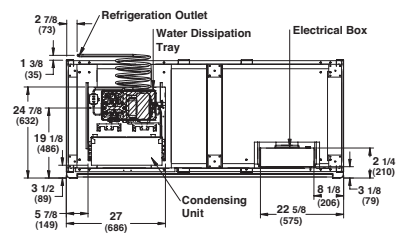
### Plan Views



HGL-1BS



HGL-2BS



HGL-3BS

### Specifications

| Model    | Exterior Dimensions |         |         |
|----------|---------------------|---------|---------|
|          | L                   | D*      | H       |
| HGL-1BS  | 28-7/8"             | 34-5/8" | 82-1/2" |
| **HGL-1B | 28-7/8"             | 34-5/8" | 82-1/2" |
| HGL-2BS  | 52"                 | 34-5/8" | 82-1/2" |
| **HGL-2B | 52"                 | 34-5/8" | 82-1/2" |
| HGL-3BS  | 75-3/8"             | 34-5/8" | 82-1/2" |
| **HGL-3B | 75-3/8"             | 34-5/8" | 82-1/2" |

### Electrical

| Model    | Nom. HP | Refrig. | Hz/Ph | Volts   | Run Amps | Fuse Amps | NEMA Plugs | Refrig. Load (BTU/h) | A/C Load (BTU/h) | Energy Consumption (kWh/day) | Approx. Ship Wt. (lbs) |
|----------|---------|---------|-------|---------|----------|-----------|------------|----------------------|------------------|------------------------------|------------------------|
| HGL-1BS  | 3/4     | R-404a  | 60/1  | 208/230 | 8.4      | 15        | 6-15P      | 3600                 | 7080             | 23.37                        | 667                    |
| **HGL-1B | -       | R-404a  | 60/1  | 208/230 | 7.9      | 15        | Hardwired  | 3600                 | -                | -                            | 562                    |
| HGL-2BS  | 1       | R-404a  | 60/1  | 208/230 | 9.5      | 15        | 6-15P      | 4650                 | 9150             | 42.05                        | 936                    |
| **HGL-2B | -       | R-404a  | 60/1  | 208/230 | 8.9      | 15        | Hardwired  | 4650                 | -                | -                            | 821                    |
| HGL-3BS  | 1-1/2   | R-404a  | 60/1  | 208/230 | 12.5     | 20        | 6-20P      | 4830                 | 9500             | 52.49                        | 1225                   |
| **HGL-3B | -       | R-404a  | 60/1  | 208/230 | 10.2     | 15        | Hardwired  | 4830                 | -                | -                            | 1100                   |

\* Exclusive of door handles.

\*\* Remote version requires floor drain.

Optional lighted sign increases overall height to 83- 9/16".

**DOE 2012 Energy Efficiency Compliant** Hussmann refrigerated merchandisers configured for sale for use in the United States meet or surpass the requirements of the DOE 2012 energy efficiency standards.



### Advanced Design.

- Contemporary styling places maximum attention on merchandising.
- All HGL merchandisers have the same access panel design for commonality between merchandisers.
- White powder-coated exterior and interior finish.

### Merchandising with Style.

- Polished silver door/frame standard.
- Product visibility is improved with 60-inch long vertical T-8 lighting and electronic ballasts for evenly illuminated merchandise throughout display area.
- More lights per merchandiser with two lights in single-door, three lights in two-door, and four lights in three-door models.
- Each door section includes four adjustable cantilever-type shelves and a bottom rack.
- White epoxy-coated shelves may be slanted for special displays and are interchangeable in all models.
- Full use of the shelf upright posts is available for positioning the shelves.
- Slimmer shelf bracket profiles provide better product merchandising under and across shelves.

### Smart Construction.

- Ends are foam insulated for superior operating efficiency.
- Doors can be locked open for stocking.
- Low temperature HGL models are equipped with a single 230-volt power cord attached (see diagram).

### Innovative Refrigeration.

- Balanced refrigeration system provides maximum efficiency and energy savings via electronic temperature control.
- Includes thermostat-controlled automatic defrost.
- Easy-to-read digital solar powered thermometer.

### Optional Accessories.

- Variety of exterior colors.
- Three-tier step rack, additional display shelves available.
- Price tag molding.
- Baskets, peg bar and hooks.
- Door guard, shelf product stops, and caster kits.
- Leveler kit.
- LED lights and lighted signage.

NOTE: These merchandisers are designed for use in stores when temperature and humidity do not exceed 75°F and 55% R.H. Case is designed for holding pre-frozen product only.

NOTE: We reserve the right to change or revise specifications and product design in connection with any feature of our products. Such changes do not entitle the buyer to corresponding changes, improvements, additions, or replacements for equipment previously sold or shipped.

For additional resources and warranties, contact your representative or visit [www.hussmann.com](http://www.hussmann.com).

**HUSSMANN®**

**Hussmann Corporation**  
12999 St. Charles Rock Rd.  
Bridgeton, MO 63044-2483  
Ph: 314.291.2000

[www.hussmann.com](http://www.hussmann.com)