

# RP

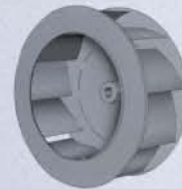
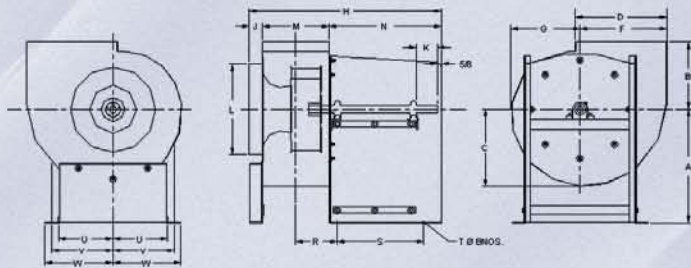


# EJF



# VCLA VCLP





**VCLP**



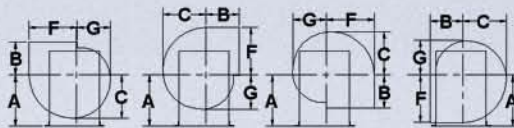
**VCLA**



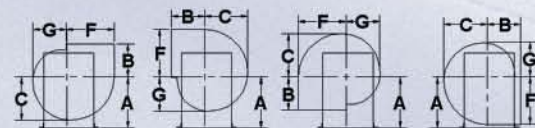
**EJFT**

TAMAÑO	A	B	C	D	F	G	H	J	K
10	13 7/8	8 1/2	10 1/8	11 1/16	10 9/16	8 1/2	27	2	2 3/4
12	16 3/8	10	12 5/16	13 5/8	12 15/16	10 5/16	28 1/8	2	2 3/4
13	16 3/8	11	13 9/16	14 15/16	14 3/16	11 3/8	29 5/16	2	3
15	17 3/8	12	15 1/16	16 3/4	15 13/16	12 5/8	31 1/8	3	3
16	19 3/8	13	16 5/8	18 5/16	17 3/8	13 15/16	33	3	3 1/2
18	25	14	18 3/8	20 7/16	19 5/16	15 3/8	37 1/8	3	3 1/2
20	25	15 1/2	20 5/16	22 5/16	21 1/4	17	39 1/4	3	3 1/2
22	29 1/4	17	22 7/16	24 13/16	23 9/16	18 3/4	45 7/8	3	3 1/2
24	29 1/4	19	24 11/16	27 5/16	25 15/16	20 5/8	48 1/2	4	3 3/4
27	32 1/4	20 1/2	27 3/16	30 3/16	28 9/16	22 3/4	50 3/8	4	3 3/4
30	32 1/4	22 1/2	30 1/4	33 7/16	31 3/4	25 5/16	52 5/8	4	4

TAMAÑO	L	M	N	R	S	T	U	V	W
10	11	8 1/4	16 3/4	5 1/4	12 7/8	9/16	6 3/4	7 1/2	8 7/16
12	13 1/2	9 3/8	16 3/4	5 11/16	12 7/8	9/16	8 1/4	9 1/4	10 5/16
13	14	10 13/16	16 3/4	6 7/16	12 7/8	9/16	8 1/4	9 1/4	10 5/16
15	16 1/2	11 3/8	16 3/4	6 11/16	12 7/8	9/16	9 1/4	10 1/4	11 5/16
16	18 1/2	13 3/16	16 3/4	7 5/8	12 7/8	9/16	10	11 3/8	12 13/16
18	20	13 7/8	20 1/4	7 15/16	16	9/16	12	13 3/8	14 13/16
20	22 3/8	16	20 1/4	9 1/8	16	9/16	12 1/2	13 7/8	15 5/16
22	24 1/2	16 7/8	26	11 3/4	16	9/16	15 7/16	16 13/16	18 3/16
24	27	18 1/2	26	12 9/16	20	9/16	15 7/16	16 13/16	18 3/16
27	30	20 3/8	26	13 1/2	20	9/16	16 7/16	17 13/16	19 3/16
30	33	22 5/8	26	14 5/8	20	9/16	16 7/16	17 13/16	19 3/16



**ROTACIONES CW**



**ROTACIONES CCW**

**EJFT VENTILADOR CENTRIFUGO CON ROTOR TIPO JAULA DE  
ARDILLA DE ASPAS ADELANTADAS A TRASMISION DE POLEAS Y BANDAS  
A MOTOR ELECTRICO COMPLETOS**

EJFT 125T		CAPACIDADES, DENSIDAD DE AIRE DE 0.75 LBS.															
		PE 1/8"		PE 1/4"		PE 1/2"		PE 3/4"		PE 1"		PE 1 1/2"		PE 2"		PE 2 1/2"	
CFM	OV	RPM	BHP	RPM	BHP	RPM	BHP	RPM	BHP	RPM	BHP	RPM	BHP	RPM	BHP	RPM	BHP
1203	1400	464	0.13	535	0.17	658	0.25	777	0.34	893	0.44	-	-	-	-	-	-
1547	1800	557	0.26	616	0.3	723	0.39	818	0.49	910	0.59	1094	0.84	-	-	-	-
1891	2200	658	0.44	706	0.49	801	0.6	884	0.71	963	0.83	1116	1.08	1266	1.37	-	-
2407	2800	819	0.88	852	0.93	928	1.05	1002	1.2	1071	1.33	1197	1.62	1317	1.92	1436	2.25
2579	3000	873	1.07	903	1.12	972	1.26	1044	1.4	1109	1.54	1230	1.85	1345	2.17	1456	2.5
2923	3400	982	1.54	1007	1.59	1066	1.73	1130	1.88	1192	2.06	1305	2.39	1409	2.73	-	-

EJFT 155T		CAPACIDADES, DENSIDAD DE AIRE DE 0.75 LBS.															
		PE 1/8"		PE 1/4"		PE 1/2"		PE 3/4"		PE 1"		PE 1 1/2"		PE 2"		PE 2 1/2"	
CFM	OV	RPM	BHP	RPM	BHP	RPM	BHP	RPM	BHP	RPM	BHP	RPM	BHP	RPM	BHP	RPM	BHP
1791	1400	380	0.19	433	0.24	529	0.33	619	0.44	704	0.56	-	-	-	-	-	-
2303	1800	459	0.37	503	0.43	584	0.55	658	0.67	731	0.8	866	1.08	991	1.39	-	-
2815	2200	542	0.63	579	0.71	649	0.86	714	1	776	1.16	895	1.46	1007	1.8	1113	2.15
3583	2800	672	1.24	702	1.33	759	1.52	814	1.72	865	1.9	964	2.27	1060	2.66	-	-
3839	3000	715	1.51	743	1.61	798	1.82	850	2.02	899	2.21	993	2.61	-	-	-	-
4351	3400	804	2.16	828	2.28	877	2.51	924	2.73	970	2.97	-	-	-	-	-	-







# EVISA Modelos VCLA

Tamaños	CFM	VS	1/2"PE		1"PE		1 1/4"PE		1 1/2"PE		2"PE		2 1/4"PE		2 1/2"PE		3"PE		3 1/4"PE		3 1/2"PE		4"PE				
			RPM	BHP	RPM	BHP	RPM	BHP	RPM	BHP	RPM	BHP	RPM	BHP	RPM	BHP	RPM	BHP	RPM	BHP	RPM	BHP	RPM	BHP	RPM	BHP	
<b>27</b> MAX RPM 1330	2961	707	470	0.29	638	0.62	714	0.82	784	1.03	909	1.48	966	1.73	1020	1.99	1120	2.53	1167	2.82	1212	3.12	1298	3.73			
	3751	895	511	0.38	650	0.74	718	0.95	782	1.17	903	1.65	959	1.91	1012	2.19	1112	2.76	1159	3.07	1204	3.38	1290	4.03			
	4540	1084	564	0.5	680	0.89	738	1.11	795	1.34	905	1.85	958	2.13	1009	2.41	1106	3.02	1152	3.33	1197	3.66	1282	4.34			
	5330	1272	624	0.65	724	1.08	773	1.31	822	1.56	920	2.1	968	2.38	1015	2.68	1106	3.31	1150	3.63	1193	3.97	1276	4.68			
	6119	1460	688	0.83	776	1.31	819	1.56	862	1.83	948	2.39	991	2.69	1033	3	1117	3.65	1158	3.99	1198	4.34	1277	5.07			
	6909	1649	755	1.06	834	1.58	872	1.85	910	2.14	987	2.74	1025	3.05	1063	3.38	1138	4.05	1176	4.41	1213	4.77	1286	5.52			
	7699	1837	823	1.32	895	1.9	930	2.2	965	2.51	1033	3.14	1067	3.47	1102	3.81	1170	4.52	1204	4.89	1238	5.26	1305	6.04			
	8488	2026	893	1.64	960	2.27	992	2.59	1023	2.92	1086	3.6	1117	3.95	1148	4.31	1210	5.05	1241	5.43	1272	5.83					
	8883	2120	928	1.82	992	2.47	1023	2.81	1054	3.15	1113	3.84	1143	4.21	1173	4.58	1232	5.34	1262	5.73	1291	6.12					
	9673	2309	999	2.22	1059	2.92	1088	3.29	1116	3.65	1172	4.4	1199	4.78	1226	5.16	1281	5.97	1308	6.37							
	10462	2497	1070	2.67	1127	3.44	1154	3.82	1181	4.22	1232	5	1258	5.42	1283	5.82											
	11054	2638	1124	3.06	1179	3.87	1204	4.27	1230	4.69	1279	5.51	1304	5.94	1328	6.37											
	11844	2827	1196	3.62	1248	4.5	1273	4.94	1297	5.38																	
12338	2945	1241	4.01	1292	4.93	1316	5.39																				
<b>30</b> MAX RPM 1210	3948	764	432	0.39	577	0.81	644	1.06	706	1.33	818	1.91	869	2.22	918	2.54	1008	3.22	1050	3.58	1090	3.94	1167	4.7			
	4836	935	469	0.49	590	0.95	649	1.21	707	1.5	814	2.11	864	2.44	912	2.78	1002	3.51	1044	3.88	1085	4.27	1162	5.08			
	5725	1107	514	0.63	616	1.12	667	1.4	718	1.7	817	2.34	864	2.69	910	3.05	998	3.81	1039	4.2	1079	4.61	1156	5.46			
	6613	1279	564	0.81	653	1.34	697	1.63	741	1.94	829	2.61	873	2.98	915	3.34	998	4.14	1038	4.55	1077	4.98	1152	5.86			
	7501	1451	617	1.02	696	1.6	734	1.9	773	2.23	852	2.94	891	3.31	929	3.69	1006	4.52	1043	4.94	1080	5.38	1152	6.3			
	8390	1623	671	1.26	743	1.9	778	2.23	813	2.58	882	3.3	917	3.69	952	4.1	1022	4.95	1056	5.38	1090	5.84	1158	6.79			
	9278	1795	727	1.56	793	2.25	825	2.6	856	2.96	919	3.74	951	4.15	982	4.56	1046	5.44	1077	5.89	1109	6.37	1171	7.33			
	10166	1966	784	1.9	845	2.64	875	3.03	904	3.43	961	4.23	990	4.66	1019	5.1	1076	6	1105	6.47	1134	6.95	1191	7.94			
	11054	2138	841	2.29	899	3.11	926	3.51	953	3.93	1007	4.8	1033	5.24	1059	5.68	1112	6.63	1139	7.12	1165	7.61					
	11943	2310	899	2.75	954	3.62	980	4.07	1005	4.51	1055	5.42	1079	5.88	1104	6.37	1153	7.35	1177	7.84	1202	8.37					
	12634	2444	945	3.15	997	4.07	1022	4.53	1046	5	1093	5.94	1117	6.44	1140	6.93	1186	7.94	1209	8.46							
	13324	2577	990	3.57	1041	4.56	1064	5.03	1088	5.53	1133	6.52	1155	7.02	1177	7.53											
	14015	2711	1036	4.05	1085	5.08	1108	5.6	1130	6.1	1174	7.15	1195	7.67													
	14805	2864	1089	4.65	1136	5.75	1158	6.28	1179	6.81																	







# EVISA Modelos VCLP

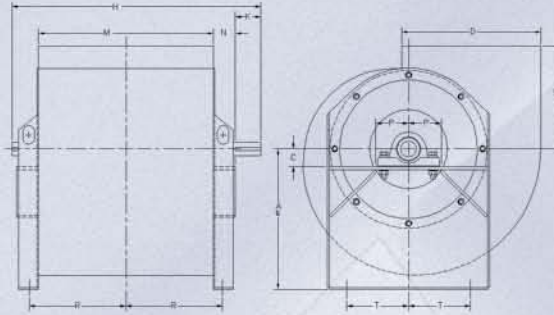
Tamaños	CFM	VS	1/2"PE		1"PE		1 1/4"PE		1 1/2"PE		2"PE		2 1/4"PE		2 1/2"PE		3"PE		3 1/2"PE		4"PE		4 1/2"PE	
			RPM	BHP	RPM	BHP	RPM	BHP	RPM	BHP	RPM	BHP	RPM	BHP	RPM	BHP	RPM	BHP	RPM	BHP	RPM	BHP	RPM	BHP
<b>30</b> <b>MAX</b> <b>RPM</b> <b>1180</b>	3948	764	406	0.43	551	0.92	615	1.22	673	1.54	778	2.26	826	2.65	871	3.06	955	3.93	1033	4.88	1105	5.88	1173	6.94
	4836	935	433	0.54	560	1.06	619	1.37	675	1.7	777	2.43	824	2.83	869	3.26	953	4.16	1030	5.12	1102	6.14	1170	7.23
	5725	1107	467	0.69	578	1.24	631	1.55	683	1.9	780	2.65	826	3.07	869	3.49	952	4.41	1029	5.41	1100	6.45	1168	7.56
	6613	1279	507	0.87	604	1.46	651	1.79	698	2.14	788	2.92	831	3.34	873	3.78	953	4.71	1028	5.72	1099	6.79	1166	7.92
	7501	1451	550	1.1	636	1.73	679	2.08	721	2.45	803	3.25	843	3.67	882	4.12	959	5.08	1031	6.1	1100	7.19	1166	8.34
	8390	1623	595	1.38	673	2.05	711	2.42	749	2.8	824	3.63	861	4.07	898	4.54	969	5.51	1038	6.55	1105	7.67	1169	8.84
	9278	1795	641	1.7	713	2.43	748	2.82	783	3.23	851	4.09	885	4.54	919	5.02	985	6.01	1050	7.07	1113	8.2	1175	9.39
	10166	1966	688	2.07	756	2.88	788	3.29	820	3.72	883	4.62	914	5.09	945	5.58	1006	6.59	1067	7.68	1127	8.83		
	11054	2138	736	2.51	800	3.38	830	3.82	859	4.26	918	5.21	947	5.71	975	6.2	1032	7.25	1089	8.37	1145	9.54		
	11943	2310	785	3.01	845	3.94	873	4.4	901	4.89	955	5.87	982	6.39	1009	6.92	1062	8	1115	9.15	1168	10.4		
	12634	2444	823	3.44	881	4.43	908	4.92	934	5.41	986	6.45	1012	6.99	1037	7.52	1088	8.65	1138	9.82				
	13324	2577	862	3.93	917	4.96	943	5.47	969	6.01	1018	7.07	1043	7.63	1067	8.19	1115	9.34	1163	10.5				
	14015	2711	900	4.45	954	5.54	979	6.08	1003	6.62	1051	7.75	1074	8.31	1098	8.91	1144	10.1						
	14805	2864	945	5.12	996	6.26	1020	6.83	1044	7.41	1090	8.59	1112	9.18	1134	9.78	1178	11						







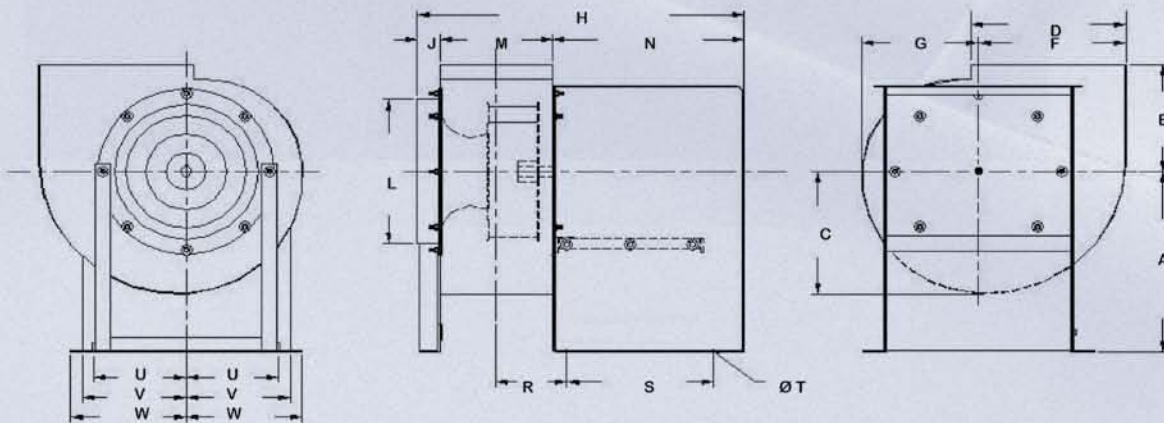
## DIMENSIONES GENERALES VCLAD



TAM.	A		B#	C	D	H	K	M	N	P	R	T
	TH, DB, TAD	BH, UB, TAU, BAU										
10	9 1/2	11 1/4	8.5	1 7/16	11 3/18	21 1/4	3	13 5/8	2 1/4	3	7 7/8	4 5/8
12	11	13 3/4	10	1 11/16	13 5/8	24 1/4		16 5/8		3 1/4	9 3/8	5 7/8
13	12	15	11		15 1/18	26 1/2		18 3/4		3 1/2	10 3/4	6 5/8
15	14	16 3/4	12	1 7/8	16 3/4	28 1/2	3 1/2	20 1/4	3 3/4	11 1/2	7 1/2	
16	14 3/4	18 1/2	13		16 1/2	30 1/2		22 1/4		12 1/2	8 1/2	
18	16 1/4	20 1/4	14	2 1/8	20 7/16	34	3 1/2	24 3/4	2 3/4	4 1/4	14	9 3/8
20	17 3/4	22 1/4	15.5		22 1/2	36 3/4		27		15 1/8	10 3/8	
22	19 3/4	24 1/2	17	2 1/4	24 13/16	40	4	30 1/8	3 1/2	16 3/4	10 7/8	

TAM.	DIA FLECHA	CHUM.
10	1	SY-1
12	1 3/16	SY-1 3/16
13	1 3/16	SY-1 3/16
15	1 3/16	SY-1 3/16
16	1 7/16	SY-1 7/16
18	1 11/16	SY-1 11/16
20	1 11/16	SY-1 11/16
22	1 15/16	SY-1 15/16

## DIMENSIONES DE VCLA Y VCLP ARREGLO 4



TAMAÑO	A	B	C	D	F	G	H	J	K
10	13 7/8	8 1/2	10 1/8	11 1/16	10 9/16	8 1/2	25 7/8	2	2 3/4
12	16 3/8	10	12 5/16	13 5/8	12 15/16	10 5/16	26 3/8	2	2 3/4
13	16 3/8	11	13 9/16	14 15/16	14 3/16	11 3/8	27 3/4	2	3
15	17 3/8	12	15 1/16	16 3/4	15 13/16	12 5/8	29 1/2	3	3
16	19 3/8	13	16 5/8	18 5/16	17 3/8	13 15/16	30 3/8	3	3 1/2
20	25	15 1/2	20 5/16	22 5/16	21 1/4	17	37	3	3 1/2
22	29 1/4	17	22 7/16	24 13/16	23 9/16	18 3/4	44 1/4	3	3 1/2

TAMAÑO	L	M	N	R	S	T	U	V	W
10	11	7 1/8	16 3/4	4 9/16	5 1/4	9/16	6 3/4	7 1/2	8 7/16
12	13 1/2	7 9/16	16 3/4	4 25/32	5 11/16	9/16	8 1/4	9 1/4	10 5/16
13	14	8 15/16	16 3/4	5 15/32	6 7/16	9/16	8 1/4	9 1/4	10 5/16
15	16 1/2	9 11/16	16 3/4	5 27/32	6 11/16	9/16	9 1/4	10 1/4	11 5/16
16	18 1/2	10 13/16	16 3/4	6 17/32	7 5/8	9/16	10	11 3/8	12 13/16
20	22 3/8	13 3/4	20 1/4	8	9 1/8	9/16	12 1/12	13 7/8	15 5/16
22	24 1/2	15 1/4	26	8 3/4	11 3/4	9/16	15 7/16	16 13/16	18 3/16

**VCLP - 4 - 10 - 67 - 1 HP - 2P - 3500**

AREA DE DESCARGA 0.53

CFM	VS	1/4"	1/2"	1"	1 1/2"	2"	2 1/2"	3"
855	1613							
912	1721							
969	1828							
1026	1936							
1083	2043							
1140	2151							
1197	2258							
1254	2366							

**VCLP - 4 - 12 - 58 - 1.5 HP - 4P - 1750**

AREA DE DESCARGA 0.69

CFM	VS	1/4"	1/2"	3/4"	1"	1 1/4"
1652	2394					
1712	2481					
1790	2594					
1850	2681					
1920	2783					
2010	2913					

**VCLP - 4 - 13 - 60 - 0.75 HP - 4P - 1750**

AREA DE DESCARGA 0.90

CFM	VS	1/4"	1/2"	3/4"	1"	1 1/4"	1 1/2"	1 3/4"
840	933							
945	1050							
1050	1167							
1155	1283							
1260	1400							
1365	1517							

**VCLP - 4 - 15 - 68 - 1 HP - 4P - 1750**

AREA DE DESCARGA 1.1

CFM	VS	1/4"	1/2"	3/4"	1"	1 1/4"	1 1/2"	1 3/4"
1290	1173							
1419	1290							
1548	1407							
1677	1525							
1806	1642							
1935	1759							
2064	1876							
2150	1955							

**VCLP - 4 - 16 - 63 - 1 HP - 4P - 1750**

AREA DE DESCARGA 1.35

CFM	VS	1/4"	1/2"	1"	1 1/4"	1 1/2"	1 3/4"	2"
1570	1163							
1727	1279							
1884	1396							
2041	1512							
2198	1628							
2355	1744							
2512	1861							
2669	1977							

**NOTA: VOLUMENES INDICADOS SECCION SOMBRREADA, ARREGLOS 4 DIRECTAMENTE ACOPLADOS**

**VCLP - 4 - 20 - 68 - 3 HP - 4P - 1750**

AREA DE DESCARGA 2.08

CFM	VS	1/4"	1/2"	1"	2"	3"	3 1/2"
3488	1677						
3706	1782						
3924	1887						
4142	1991						
4360	2096						
4796	2306						
5232	2515						
5668	2725						
6104	2935						

**VCLP - 4 - 22 - 79 - 5 HP - 4P - 1750**

AREA DE DESCARGA 2.57

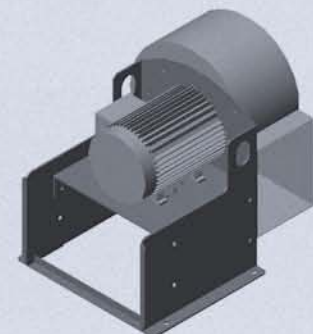
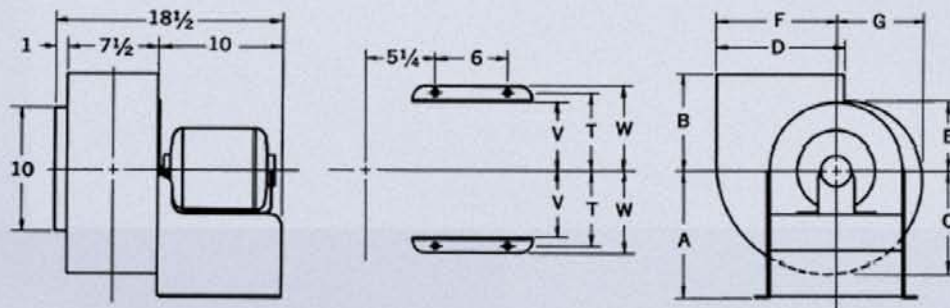
CFM	VS	1/4"	1/2"	1"	2"	3"	3 1/2"
4275	1663						
4560	1774						
4845	1885						
5130	1996						
5415	2107						
5700	2218						
6270	2440						
6840	2661						
7410	2883						
7980	3105						
8550	3327						

NOTA: VOLUMENES INDICADOS SECCION SOMBREADA, ARREGLOS 4 DIRECTAMENTE ACOPLADOS

**EJF-4 VENTILADOR CENTRIFUGO CON ROTOR ASPAS ADELANTADAS  
ACOPLADO A MOTOR ARREGLO 4**

<b>EJF-4</b>		<b>MOTOR</b>									
		1/8"	1/4"	3/8"	1/2"	3/4"	1"	1 1/4"	1 1/2"	1 3/4"	2"
475	1/2	1026	968	948	905	808	685	-	-	-	-
490	1 1/2	1915	1862	1815	1768	1677	1590	1490	1370	1225	915

EJF-4	A	B	C	D	E	F	G	T	V	W	BNOS.
475	10 3/8	6 1/2	7 1/8	8 1/4	5 1/8	8 1/8	6 1/8	5 3/4	5	6 1/2	3/8
490	10 1/2	7 3/4	8 1/2	10 1/2	5 3/4	9 7/8	7 1/8	6 1/4	5 1/2	6 3/4	1/2





## CAPACIDADES A 3500 RPM

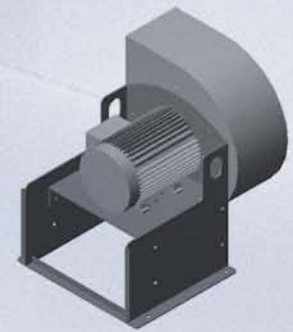
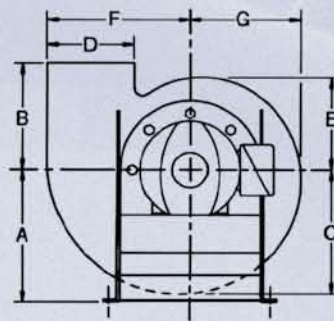
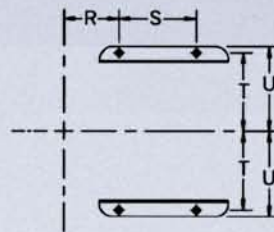
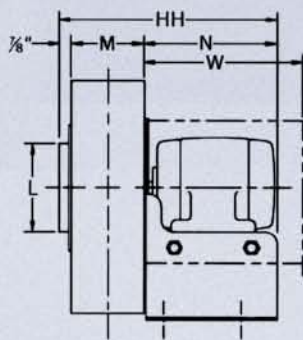
RP	HP	CAPACIDADES, DENSIDAD DE AIRE DE 0.75 LBS.																								
		PE 1"			PE 2"			PE 3"			PE 4"			PE 5"			PE 6"			PE 8"			PE 10"			
		CFM	OV	BHP	CFM	OV	BHP	CFM	OV	BHP	CFM	OV	BHP	CFM	OV	BHP	CFM	OV	BHP	CFM	OV	BHP	CFM	OV	BHP	
95	1	630	5032	0.96	560	4460	0.88	460	3714	0.79	350	2817	0.67	1952	0.58	-	-	-	-	-	-	-	-	-	-	-
105	1 1/4	770	6167	1.36	700	5579	1.26	620	4960	1.17	540	4286	1.06	3500	0.92	330	2651	0.8	-	-	-	-	-	-	-	-
106	2	1120	8942	1.75	1010	4995	1.61	900	4433	1.49	780	3882	1.34	3270	1.19	520	2562	1.03	-	-	-	-	-	-	-	-
125	3	1320	8405	2.96	1240	7886	2.82	1160	7367	2.65	1070	6829	2.47	6253	2.29	880	5601	2.15	640	4108	1.72	-	-	-	-	-
116	3	1670	6549	2.81	1530	6036	2.63	1390	5463	2.48	1240	4878	2.29	4271	2.08	920	3639	1.88	430	1698	1.19	-	-	-	-	-
126	5	2043	8012	4.01	1910	7510	3.8	1770	6961	3.58	1620	6376	3.34	5757	3.1	1310	5149	2.87	960	3796	2.36	-	-	-	-	-
136	5	-	-	-	-	-	-	-	-	-	1880	6437	4.85	6007	4.63	1640	5604	4.39	1390	4751	3.82	1088	3713	1088	3.17	-
146	7 1/2	-	-	-	-	-	-	2380	8133	7.42	2260	7734	7.12	7311	6.79	2010	6870	6.46	1750	5980	5.91	1491	5089	1491	5.33	-

## CAPACIDADES A 1750 RPM

RP	HP	PE 1/4"		PE 1/2"		PE 3/4"		PE 1"		PE 1 1/2"		PE 2"	
		CFM	BHP	CFM	BHP	CFM	BHP	CFM	BHP	CFM	BHP	CFM	BHP
RP-95	1/4	310	0.21	280	0.2	230	0.19	170	0.17	-	-	-	-
RP-105	1/4	380	0.25	350	0.24	310	0.23	270	0.22	160	0.19	-	-
RP-106	1/2	560	0.30	500	0.28	450	0.27	390	0.25	260	0.22	-	-
RP-125	1/2	660	0.43	620	0.42	580	0.4	530	0.38	440	0.34	320	0.29
RP-116	1/2	830	0.42	760	0.4	690	0.38	620	0.36	460	0.31	210	0.23
RP-126	3/4	1020	0.55	950	0.53	880	0.5	810	0.48	650	0.42	480	0.37
RP-136	3/4	1120	0.72	1060	0.7	1000	0.67	940	0.65	820	0.59	690	0.53
RP-146	1	1300	0.99	1240	0.96	1190	0.93	1130	0.9	1000	0.83	870	0.77

Incluyen: Ventilador, Motor Trifásico.

## TABLA DE DIMENSIONES



TAMAÑOS	ARMAZON	A
95, 105	48,56,143T,145T	12 1/2
106	56,143T,145T	
116,125,	56,143T,145T	12 1/2
126	182T,184T	13 1/2
136	182T,184T	13 1/2
146	143T,145T	12 1/2
	182T,184T	13 1/2

RPY RPC	B	C	D	E	F	G	HH	L	M	N	R	S	T	U	W	a	b	c	d	DIÁ DE BROS.
95	7 1/2	7 7/8	5 5/8	6 5/8	8 1/2	7 1/4	14 5/8	6	3 5/8	10 1/8	3 7/16	6	6 1/4	6 3/4	14 1/4	7 3/4	11 1/4	8	6 3/4	1/2
105	7 1/2	7 7/8	5 5/8	6 5/8	8 1/2	7 1/4	14 5/8	6	3 5/8	10 1/8	3 7/16	6	6 1/4	6 3/4	14 1/4	7 3/4	11 1/4	8	6 3/4	1/2
106	7 1/2	7 7/8	5 5/8	6 5/8	8 1/2	7 1/4	16 5/8	6	5 5/8	10 1/8	4 7/16	6	6 1/4	6 3/4	14 1/4	7 3/4	11 1/4	8	6 3/4	1/2
116	8 1/2	10	7	7 1/2	11 1/4	8 3/4	17 5/8	7	5 5/8	11 1/8	4 15/16	7	7 3/4	8 1/4	15	9 3/8	13 7/8	10 5/8	8 1/8	1/2
125	8 1/2	10	7	7 1/2	11 1/4	8 3/4	15 5/8	7	3 5/8	11 1/8	3 15/16	7	7 3/4	8 1/4	15	9 3/8	13 7/8	10 5/8	8 1/8	1/2
126	8 1/2	10	7	7 1/2	11 1/4	8 3/4	17 5/8	8	5 3/8	11 1/8	4 15/16	7	7 3/4	8 1/4	15	9 3/8	13 7/8	10 5/8	8 1/8	1/2
136	10 1/2	11 1/8	8 1/4	9 3/8	12	10 1/4	17 5/8	8	5 5/8	11 1/8	4 15/16	7	7 3/4	8 1/4	15	10 3/4	16	11 1/2	9 3/4	1/2
146	10 1/2	11 1/8	8 1/4	9 3/8	12	10 1/4	17 5/8	8	5 5/8	11 1/8	4 15/16	7	7 3/4	8 1/4	15	10 3/4	16	11 1/2	9 3/4	1/2







# EVISA Modelo RP

Tamaños	CFM	VS	3/4"PE		1"PE		2"PE		3"PE		4"PE		5"PE		6"PE		7"PE		8"PE		9"PE		10"PE	
			RPM	BHP	RPM	BHP	RPM	BHP	RPM	BHP	RPM	BHP	RPM	BHP	RPM	BHP	RPM	BHP	RPM	BHP	RPM	BHP	RPM	BHP
<b>126</b> <b>MAX</b> <b>RPM</b> <b>4000</b>	153	600	961	0.03	1105	0.05	1557	0.12	1907	0.2	2203	0.3	2464	0.41	2700	0.52	2918	0.64	3120	0.77	3310	0.91	3490	1.05
	253	992	1011	0.05	1143	0.07	1571	0.15	1912	0.25	2203	0.36	2462	0.48	2696	0.61	2912	0.75	3114	0.89	3303	1.04	3483	1.2
	351	1376	1092	0.08	1213	0.1	1613	0.2	1938	0.31	2220	0.43	2473	0.56	2703	0.7	2916	0.85	3116	1.01	3303	1.18	3481	1.35
	452	1773	1192	0.12	1305	0.14	1680	0.26	1988	0.38	2258	0.52	2502	0.66	2726	0.82	2934	0.98	3130	1.15	3314	1.33	3490	1.51
	555	2176	1305	0.17	1412	0.2	1766	0.34	2059	0.48	2316	0.63	2550	0.79	2767	0.95	2968	1.13	3159	1.31	3339	1.5	3511	1.7
	653	2561	1419	0.23	1521	0.26	1860	0.42	2139	0.58	2386	0.75	2611	0.93	2820	1.11	3016	1.3	3200	1.49	3376	1.7	3544	1.91
	757	2969	1546	0.31	1642	0.35	1967	0.53	2236	0.72	2473	0.9	2689	1.1	2890	1.3	3079	1.5	3258	1.71	3429	1.93	3592	2.15
	855	3353	1669	0.4	1761	0.45	2074	0.65	2334	0.86	2563	1.07	2773	1.28	2967	1.5	3150	1.72	3324	1.95	3489	2.18	3648	2.42
	957	3753	1802	0.52	1889	0.57	2190	0.8	2442	1.03	2664	1.26	2867	1.49	3056	1.73	3233	1.97	3402	2.22	3563	2.47	3717	2.73
	1055	4137	1933	0.65	2015	0.71	2305	0.96	2549	1.22	2766	1.47	2964	1.73	3147	1.98	3320	2.24	3484	2.51	3641	2.78	3791	3.05
	1160	4549	2078	0.83	2154	0.89	2431	1.17	2668	1.44	2879	1.72	3072	2	3251	2.28	3419	2.56	3579	2.85	3732	3.14	3878	3.43
	1253	4914	2208	1.01	2280	1.08	2545	1.37	2776	1.67	2983	1.97	3171	2.27	3347	2.57	3511	2.87	3668	3.18	3817	3.49	3961	3.8
	1360	5333	2361	1.25	2428	1.33	2680	1.64	2904	1.96	3105	2.28	3289	2.61	3461	2.94	3622	3.27	3775	3.59	3921	3.93		
	1392	5459	2407	1.33	2473	1.41	2721	1.73	2942	2.05	3142	2.39	3325	2.72	3495	3.05	3655	3.39	3807	3.72	3953	4.06		

Tamaños	CFM	VS	1"PE		2"PE		3"PE		4"PE		5"PE		6"PE		7"PE		8"PE		10"PE		12"PE		14"PE	
			RPM	BHP	RPM	BHP	RPM	BHP	RPM	BHP	RPM	BHP	RPM	BHP	RPM	BHP	RPM	BHP	RPM	BHP	RPM	BHP	RPM	BHP
<b>146</b> <b>MAX</b> <b>RPM</b> <b>3600</b>	173.71	592.87	919	0.15	1300	0.22	1591	0.3	1847	0.38	2068	0.48	2272	0.59	2458	0.71	2631	0.84	2953	1.14	3229	1.46	3499	1.83
	289.19	987	957	0.18	1309	0.27	1591	0.36	1839	0.47	2049	0.59	2249	0.71	2435	0.84	2604	0.98	2916	1.29	3197	1.64	3465	2.01
	404.67	1381.1	1043	0.22	1351	0.33	1615	0.43	1846	0.55	2063	0.69	2250	0.83	2434	0.99	2593	1.15	2896	1.53	3174	1.91	3430	2.31
	520.15	1775.3	1139	0.28	1434	0.4	1672	0.53	1888	0.67	2083	0.82	2269	0.98	2438	1.14	2608	1.33	2906	1.74	3188	2.2	3439	2.66
	636.62	2172.7	1246	0.35	1526	0.5	1753	0.65	1953	0.81	2139	0.98	2308	1.16	2468	1.36	2625	1.57	2920	1.99	3193	2.45	3449	2.95
	752.09	2566.9	1353	0.43	1627	0.62	1846	0.8	2039	0.99	2211	1.18	2377	1.4	2526	1.61	2671	1.84	2952	2.31	3212	2.79	3450	3.29
	867.57	2961	1465	0.54	1729	0.76	1944	0.97	2129	1.19	2300	1.43	2458	1.67	2600	1.9	2738	2.14	3001	2.66	3245	3.18	3481	3.73
	983.05	3355.1	1583	0.68	1836	0.92	2045	1.17	2230	1.44	2395	1.71	2547	1.98	2686	2.24	2821	2.51	3069	3.04	3309	3.62	3532	4.21
	1098.5	3749.3	1707	0.86	1946	1.13	2153	1.43	2328	1.72	2490	2.01	2639	2.31	2782	2.62	2908	2.9	3152	3.5	3383	4.12		
	1215	4146.7	1834	1.07	2062	1.38	2259	1.71	2438	2.04	2592	2.36	2739	2.68	2881	3.03	3005	3.35	3242	4	3464	4.66		
	1330.5	4540.9	1964	1.33	2177	1.67	2370	2.02	2542	2.39	2699	2.75	2840	3.1	2974	3.45	3098	3.81	3336	4.54	3552	5.26		
	1400	492	2030	1.49	2237	1.84	2428	2.21	2597	2.59	2751	2.96	2891	3.33	3025	3.7	3150	4.07	3384	4.83	1776	2.63		
	1446	4935	2096	1.65	2296	2.01	2485	2.39	2652	2.78	2803	3.17	2942	3.55	3076	3.95	3201	4.33	3433	5.12				
	1561.4	5329.1	2230	2	2423	2.41	2601	2.8	2763	3.22	2914	3.65	3048	4.06	3181	4.49	3300	4.9	3533	5.75				

## TRANSMISIONES

PARA VCLA, VCLP, VCLAD Y EJF. POLEAS Y BANDAS SECCION A Y B.

RPMS	HP 1/2 - 2	HP 3 - 5	HP 7 1/2 - 10
700-3000	\$1,650.00	\$2,100.00	\$9,100.00
15,16,18	5 - 7 1/2	\$9,500.00	\$9,500.00
20,22	7 1/2 - 10	\$12,500.00	\$12,500.00

## BASES NEMA PARA MOTORES ELECTRICOS

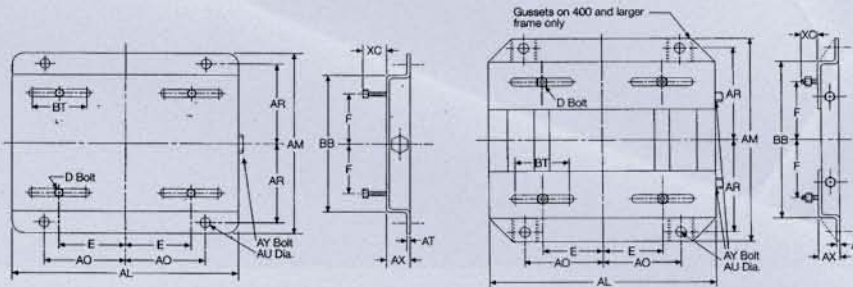
MODELO BASE	ARMAZON	HP		
		2P	4P	6P
2005	143T	3/4, 1	1	3/4
	143T	1 1/2		
	145T	1 1/2		1
	145T	2	2	
2006	182T	3	4	1 1/2
	184T	5	5	2
2007	213T	7 1/2	7 1/2	3
	215T	10	10	5
2008	254T	15	15	7 1/2
	256T	20	20	10



BASE 2005



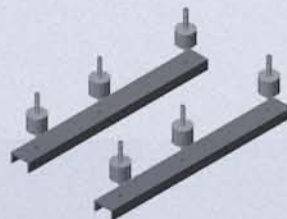
BASE 2006-2007-2008



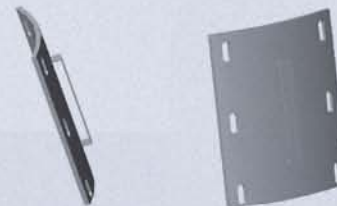
NEMA	E	F	AL	AM	AO	AR	AT	AU	AX	BB	BT	XC	D	AY
143T	2 3/4	2	10 1/2	7 1/2	3 3/4	3 3/8	7/64	3/8	1 1/8	5 1/2	3	13/16	5/16 X 1	3/8 X 4
145T	2 3/4	2 1/2	10 1/2	8 1/2	3 3/4	3 7/8	7/64	3/8	1 1/8	6 1/2	3	13/16	5/16 X 1	3/8 X 4
182T	3 3/4	2 1/4	12 3/4	9 1/2	4 1/2	4 1/4	9/64	1/2	1 1/2	6 1/2	3	1 1/2	3/8 X 1 3/4	1/2 X 5
184T	3 3/4	2 3/4	12 3/4	10 1/2	4 1/2	4 3/4	9/64	1/2	1 1/2	7 1/2	3	1 1/2	3/8 X 1 3/4	1/2 X 5
213T	4 1/4	2 3/4	15	11	5 1/4	4 3/4	5/32	1/2	1 3/4	7 1/2	3 1/2	1 1/2	3/8 X 1 3/4	1/2 X 5
215T	4 1/4	3 1/2	15	12 1/2	5 1/4	5 1/2	5/32	1/2	1 3/4	9	3 1/2	1 1/2	3/8 X 1 3/4	1/2 X 5
254T	5	4 1/8	17 3/4	15 1/8	6 1/4	6 5/8	3/16	5/8	2	10 3/4	4	1 7/16	1/2 X 1 3/4	5/8 X 6
256T	5	5	17 3/4	16 7/8	6 1/4	7 1/2	3/16	5/8	2	12 1/2	4	1 7/16	1/2 X 1 3/4	5/8 X 6

### RIELES ANTIVIBRATORIOS PARA VCLA, VCLP, EJF, VCLP4 Y RD

4 TACONES PARA ARREGLO 10,  
6 TACONES PARA ARREGLO 1.



### PUERTA DEL REGISTRO DE INSPECCION



REGISTROS Ó PUERTAS DE INSPECCION  
VCLP, VCLA, VCLP4 Y EJF

TAMAÑOS	MODELO
10,12,13	NSR35
15,16	NSR90
18,20	NSR175
22,24	
27,30	

LEYES BASICAS DE LOS VENTILADORES		
VARIABLE	CUANDO LA VELOCIDAD CAMBIA	CUANDO LA DENSIDAD CAMBIA
VOLUMEN	$CFM_2 = CFM_1 \left( \frac{RPM_2}{RPM_1} \right)$	NO CAMBIA
PRESION	$P_2 = P_1 \left( \frac{RPM_2}{RPM_1} \right)^2$	$P_2 = P_1 \left( \frac{D_1}{D_2} \right)$
POTENCIA	$BHP_2 = BHP_1 \left( \frac{RPM_2}{RPM_1} \right)^3$	$BHP_2 = BHP_1 \left( \frac{D_1}{D_2} \right)$

EFICIENCIA DE LOS VENTILADORES	
EFICIENCIA MECANICA	$= \frac{CABALLAJE\ DEL\ AIRE}{CABALLAJE\ DE\ LA\ FLECHA} \times 100\%$
EFICIENCIA MECANICA	$= \frac{TP}{63.56} \times \frac{CFM}{BHP} \times 100\%$
EFICIENCIA ESTATICA	$= \frac{SP}{63.56} \times \frac{CFM}{BHP} \times 100\%$

PRESION						
In.WG.	Pascales	Psi	In. HG	mm WG	mm HG	Atm
1	248.36	0.3602	0.07334	25.4	1.8628	0.00245
0.00403	1	0.00015	0.0003	0.10227	0.0075	0.00001
27.761	6894.7	1	2.036	705.13	51.715	0.06805
13.635	3386.4	0.49116	1	346.33	25.4	0.3342
0.03937	9.7779	0.00142	0.00289	1	0.07334	0.0001
0.53681	133.32	0.01934	0.03937	13.635	1	0.00132
407.98	101325	14.696	29.921	10363	760	1

VOLUMEN					
CFM	m³/s	m³/min.	m³/hr.	l/s	l/min.
1	0.000472	0.02832	1.699	0.47195	28.317
2118.9	1	60	3600	1000	60000
35.314	0.01667	1	60	16.667	1000
0.58858	0.00028	0.1667	1	0.27778	16.667
2.1189	0.001	0.06	3.6	1	60
0.3531	0.00002	0.001	0.06	0.01667	1

VELOCIDAD					
ft./min.	m/s	m/min.	m/hr.	mph	Knots
1	0.00508	0.3048	18.288	0.01136	0.00987
196.85	1	60	3600	2.2369	1.9425
3.2808	0.01667	1	60	0.03728	0.03238
0.5468	0.00028	0.01667	1	0.00062	0.00054
88	0.44704	26.822	1609.4	1	0.86839
101.34	0.51479	30.887	1853.2	1.1516	1

VELOCIDAD DE ROTACION	
RPM	rps
1	0.01667
60	1

DENSIDAD	
lbs./ft.³	Kg/m³
1	16.018
0.06243	1

POTENCIA	
HP	Watts
1	745.7
0.00134	1

MODELOS EQUIVALENTES		TAMAÑOS										
		10	12	13	15	16	18	20	22	24	27	30
<b>EVISA</b>	<b>VCLP</b>	si	si	si	si	si	si	si	si	si	si	si
S & P	CM	si	si	no	no	si	no	no	si	si	si	si
LOREN COOK	CPS	si	si	si	si	si	si	si	si	si	si	si
GREENHECK	SWB	si	si	si	si	si	si	si	si	si	si	si
ARMEE	B	si	si	si	si	si	si	si	si	si	si	si
<b>EVISA</b>	<b>VCLA</b>	si	si	si	si	si	si	si	si	si	si	si
S & P	-	no	no	no	no	no	no	no	no	no	no	no
LOREN COOK	CA	no	si	si	si	si	si	si	si	si	si	si
GREENHECK	AFSW	no	no	no	no	no	no	no	no	no	no	no
ARMEE	A	si	si	si	si	si	si	si	si	si	si	si
<b>EVISA DWDI</b>	<b>VCLAD</b>	si	si	si	si	si	si	si	si	si	<b>DOBLE ENTRADA</b>	

**OBSERVACIONES:**

- LOS MODELOS VCLP DE **EVISA**, SON VENTILADORES DE ASPAS PLANAS ATRASADAS, PARA VOLUMENES DE 300 PCM A 17,000 PCM Y PRESIONES ESTATICAS HASTA 4"Y 250° F. (90°C)
- LOS MODELOS VCLA DE **EVISA**, CON MISMOS VOLUMENES Y PRESIONES QUE EL ANTERIORMENTE DESCRITO PERO HASTA 280°F.
- LOS MODELOS VCLAD DE **EVISA**, SON PARA MANEJAR VOLUMENES DESDE 1000 PCM HASTA 28,000 PCM Y PRESIONES ESTATICAS DE 8" ESTOS SON VENTILADORES DE ASPAS HUECAS AERODINAMICAS ATRASADAS CON EFICIENCIAS DEL 85%, CON BAJO NIVEL DE RUIDO Y ESPECIALMENTE DISEÑADOS PARA MANEJADORAS DE AIRE.



**EVA & EVP**



**TURA**



**EVAD**



**PFA**



**VDH**



**VCL**



**SWING OUT**



**TLA**

**INDUSTRIALES EN BALANCEO S.A. DE C.V.**  
 Av. La Presa No. 20 Col. Industrial la Presa Tlalnepantla Edo.  
 México. C.P. 54187  
 Tels y Fax. (55) 5718 0003, 5384 8069, 5384 8070  
 evisa\_ibsa@prodigy.net.mx evisa\_ibsa@yahoo.com.mx  
 www.evisaventiladores.com



**MPCA**



**TURH**



**EJF**

